

Deck-Armor™

Premium Breathable Roof Deck Protection Installation Instructions

Information Sheet

Updated: 6/09



*Quality You Can Trust Since 1886...
From North America's Largest Roofing Manufacturer™*

Installation Instructions for Deck-Armor™ Premium Breathable Roof Deck Protection

General Installation Instructions (For All Applications)

Deck-Armor™ Roof Deck Protection is a breathable, UV-stabilized polypropylene underlayment designed to shed water. It breathes so that it does not lock in moisture that can cause damage to the deck or building interior. Deck-Armor™ Roof Deck Protection will withstand UV exposure for up to 180 days. The primary roof covering (such as asphalt shingles) **must** be installed over Deck-Armor™ Roof Deck Protection within 180 days.

CAUTION: Be careful when using Deck-Armor™ Roof Deck Protection under non-asphaltic roofing systems such as metal, slate or tile. Components from these systems may lead to excessive abrasion, scuffing and sharp stress points, damaging the Deck-Armor™ Roof Deck Protection. For non-asphaltic systems, first check with manufacturer as to suitability of Deck-Armor Roof Deck Protection. Then install following the Deck-Armor application instructions. **Questions?** Contact the GAF-Elk Technical Services Department, 1-800-ROOF-411.

Precautions And Definitions:

Always avoid scuffing... Normal walking on Deck-Armor™ Roof Deck Protection will not cause damage. However, scuffing can compromise the waterproofing layer of Deck-Armor™ Roof Deck Protection and result in leaking. Scuffing can be caused by twisting, kicking or heavy rubbing of shoes with weight pressing Deck-Armor™ Roof Deck Protection against the deck.

NOTE: If scuffing occurs... cover any scuffed areas with an additional layer of Deck-Armor™ Roof Deck Protection that exceeds the scuffed area by 6" on each side. Adhere the additional layer of Deck-Armor™ Roof Deck Protection with a moisture-curable polyurethane adhesive that meets or exceeds ASTM C-557. Follow the adhesive/sealant manufacturer's instructions.

Fastening: Do Not use nails or staples without plastic caps. Fasteners should be long enough to penetrate at least 3/4" (19 mm) into wood decks or just through plywood or OSB decks. Use only plastic cap corrosion resistant nails or staples with plastic caps. Fasteners must be flush to the deck and at a 90° angle to the roof deck.

Type of Seams... a "side lap" is the horizontal lap. An "end lap" is the vertical lap.

Cutting... use a straight blade knife, scissors or sharp hook blade knife for cutting Deck-Armor™ Roof Deck Protection.

SAFETY CONSIDERATIONS... as with all roofing projects:

- **Be Careful...** observe safe roofing practices and requirements (OSHA). Use caution when walking or standing on Deck-Armor™ Roof Deck Protection. Slippery conditions may occur with wet and dusty conditions. Failure to use proper safety gear and footwear can result in serious injury.
- **Placing Materials on roof...** use roof jacks, toe boards or storage platforms secured to the underlying roof deck to prevent slippage of stored roofing materials.

All Applications Follow Steps 1-4 Below...

Step 1: Prepare Deck Properly...

- a) **Clean deck...** remove debris or protruding fasteners, which can cause leaks. Repair and replace any damaged or rotted sections prior to installation of Deck-Armor™ Roof Deck Protection.
- b) **Dry deck...** deck must be dry to help prevent buckling of the deck, which can result in deck movement and damage the primary roof covering.

Step 2: Install Leak Barrier...

- a) Where a waterproof underlayment is needed, install Weather Watch® or StormGuard® Leak Barrier. This ideally includes eaves, valleys, rakes, skylights, dormers and other vulnerable leak areas. Follow Leak Barrier application instructions.
- b) Along the eaves and in the valleys, install the Leak Barrier before installing Deck-Armor™ Roof Deck Protection.

- c) Along the rake, install Deck-Armor™ Roof Deck Protection, leaving 6-8" minimum of the deck exposed, and then install the Leak Barrier over the Deck-Armor™ Roof Deck Protection.
- d) In other areas, install the Leak Barrier over the Deck-Armor™ Roof Deck Protection (see Weather Watch® or StormGuard® Leak Barrier application instruction for more details).

Step 3: Lay Out Deck-Armor™ Roof Deck Protection ...

- a) **Parallel to eave...** apply Deck-Armor™ Roof Deck Protection parallel to the eaves.
- b) **Install without wrinkles...** lay flat, nail flat. **DO NOT** stretch during installation.
- c) **Over drip edge at eaves...** lay Deck-Armor™ Roof Deck Protection over the eave metal unless local building code requires otherwise or if leak barrier is in place at eaves. See Fig 1.
- d) **Under drip edge at the rakes...** lay Deck-Armor™ Roof Deck Protection under the drip edge at the rake to help prevent wind uplift at the rake edge. See Fig. 1.

Step 4: Fasten Deck-Armor™ Roof Deck Protection... in accordance with appropriate installation instructions below for all installations:

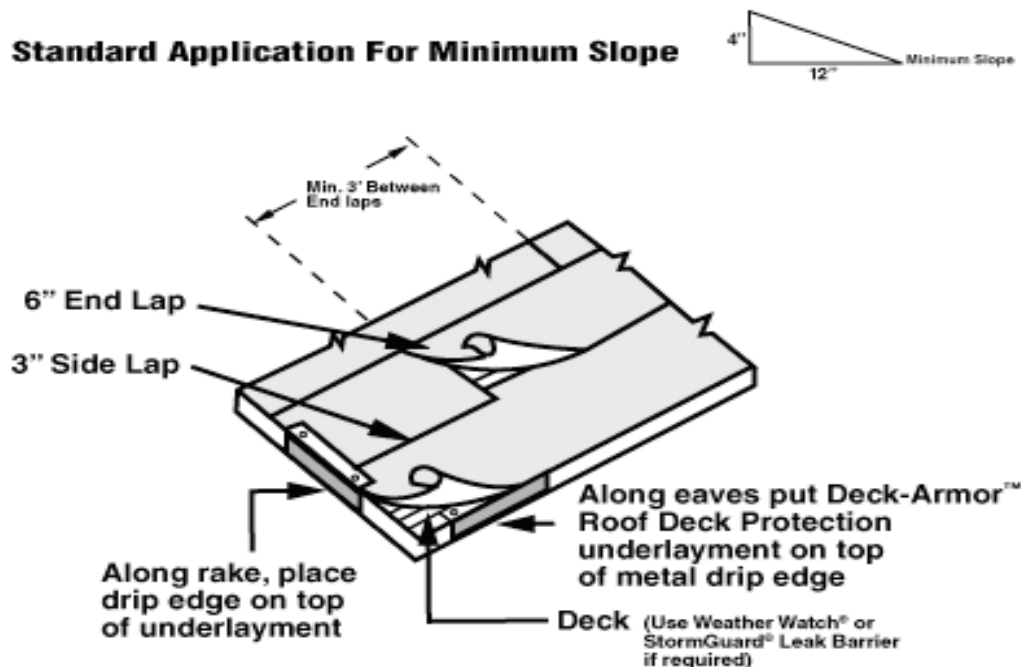
- a) **Fasten side and end laps...** 12" on center (use 6" on center for high wind)
- b) **Fasten in the field of the roll...** with 2 staggered rows of fasteners spaced 24" on center (use 12" on center for high wind areas).

**Standard Installation Instructions
4"/12" slope or more**

Step 5: Overlap Deck-Armor™ Roof Deck Protection Before Fastening (see Figure 1)

- a) **Overlap 3" at side lap...** extend Deck-Armor™ Roof Deck Protection 3" over the preceding course. Use the line at top of printed grid to help align the 3" overlap.
- b) **Overlap 6" at end lap ...** end laps should overlap a minimum of 6" and be offset from adjacent end laps by 3 feet.
- c) **Fasten...** in accordance with **Step 4** above.

Figure 1

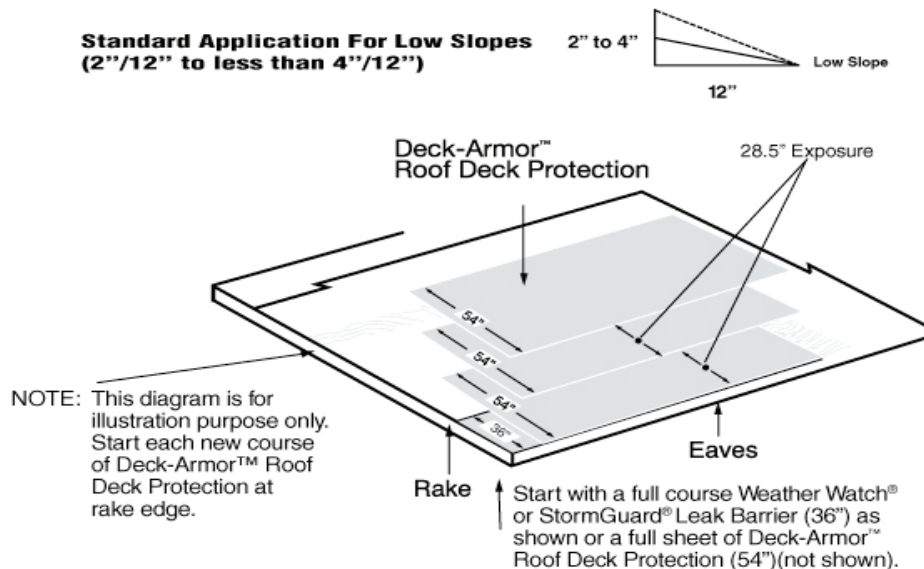


Standard Installation Instructions 2"/12" Slope to less than 4"/12"

Step 5: Install Double Coverage (see Figure 2) ...

- a) **Overlap....** a full 28.5" overlap over the underlying course.
- b) **Continue up the roof...**using a 28.5" exposure.
- c) **Overlap 6" at end lap seams...** and offset from adjacent end laps by 3 feet
- d) **Fasten...**see Step 4 above.

Figure 2



Special Installation Instructions For Maximum Protection Against Exposure To Rain/Snow For All Slopes 2"/12" or more

Taped Seams... use a butyl adhesive based seam/cover tape or a waterproof cloth duct tape. Follow the tape manufacturer's instructions.

NOTE: The long term durability of these tapes varies by manufacturer and type. Be sure to use a tape that is stated to perform for the full time that Deck-Armor™ Roof Deck Protection will be exposed.

1) Side Lap Detail...

- a) Overlap second course 6" in shingle fashion and fasten (see Step 4).
- b) Completely cover all side laps and fasteners with tape.

2) End Lap Detail... Must be Taped...

- a) Overlap 12" at the end lap and fasten (see Step 4).
- b) Use tape to completely cover all end laps and all fasteners.
 - 1) Overlap 12" at the end lap and fasten (see Step 4).
 - 2) Use tape to completely cover all end laps and all fasteners.

Note: Special application for low slopes is the same as figure 2 above except side and end laps are taped.

If Roof May Be Exposed To High Winds...

- 1) **Fasten in the field of the roll...** with 2 staggered rows of fasteners spaced 12" on center.
- 2) **Always apply tape...** over all fasteners at the center of roll to help prevent rain or snow from entering at the fasteners.
- 3) **Leaking...** may result from exposed fasteners.